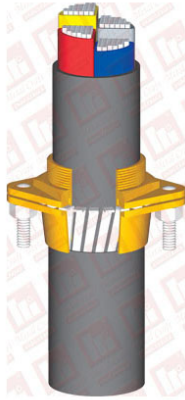


Flange Type Cable Glands



Material :	Brass
Finish:	Brass
Entry Threads :	ET / BSC

Application:

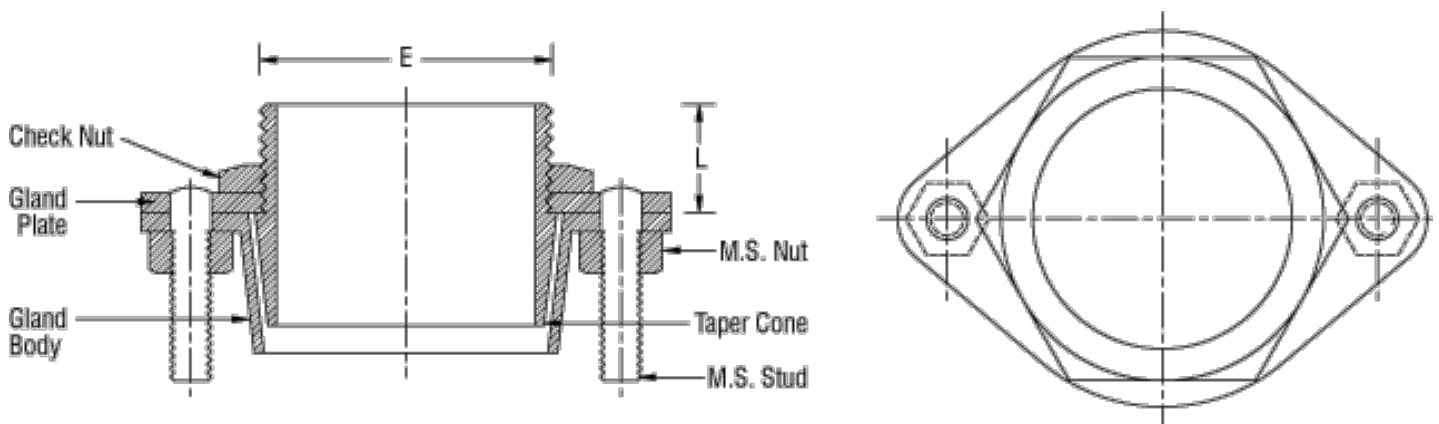
Generally for armoured cable and outdoor use.

Flange Type Cable Glands are made out of brass castings and are machined accurately to the required sizes. These glands are suitable for armoured cables and are called mechanical glands hence suitable for outdoor application.

The gland comprises of brass body (Flange Type oval shape) and plate clamped with galvanized mild steel studs and nuts for clamping the armour. Tapered cone and nut are provided for termination of cable.

The cone and body taper is designed for giving a firm grip to the armour of the cable.

Fitting Sequence



Table

Size	E Dia.	L Length	Suitable Cable Overall Dia.	
Code	$\text{Å} \square \text{mm}$	mm	From	To

FL 5	15.0	13.0	12.0	16.5
FL 4	19.0	13.0	15.0	19.0
FL 3	19.5	13.0	18.5	20.5
FL 2	25.0	16.5	20.5	24.5
FL 1	31.0	15.5	24.0	30.0
FL 11	31.5	15.0	29.5	34.0
FL 0	37.5	21.0	32.5	35.0
FL 00	37.5	20.0	34.5	38.0
FL 38	42.0	21.5	37.0	42.0
FL 001	49.0	20.5	40.5	44.0
FL 002	53.5	21.5	43.5	52.0
FL 003	60.0	23.0	51.0	58.0
FL 0033	65.0	25.5	56.5	67.0
FL 004	75.0	22.5	66.0	76.0
FL 005	99.0	22.5	75.0	83.0

Tolerance + 1